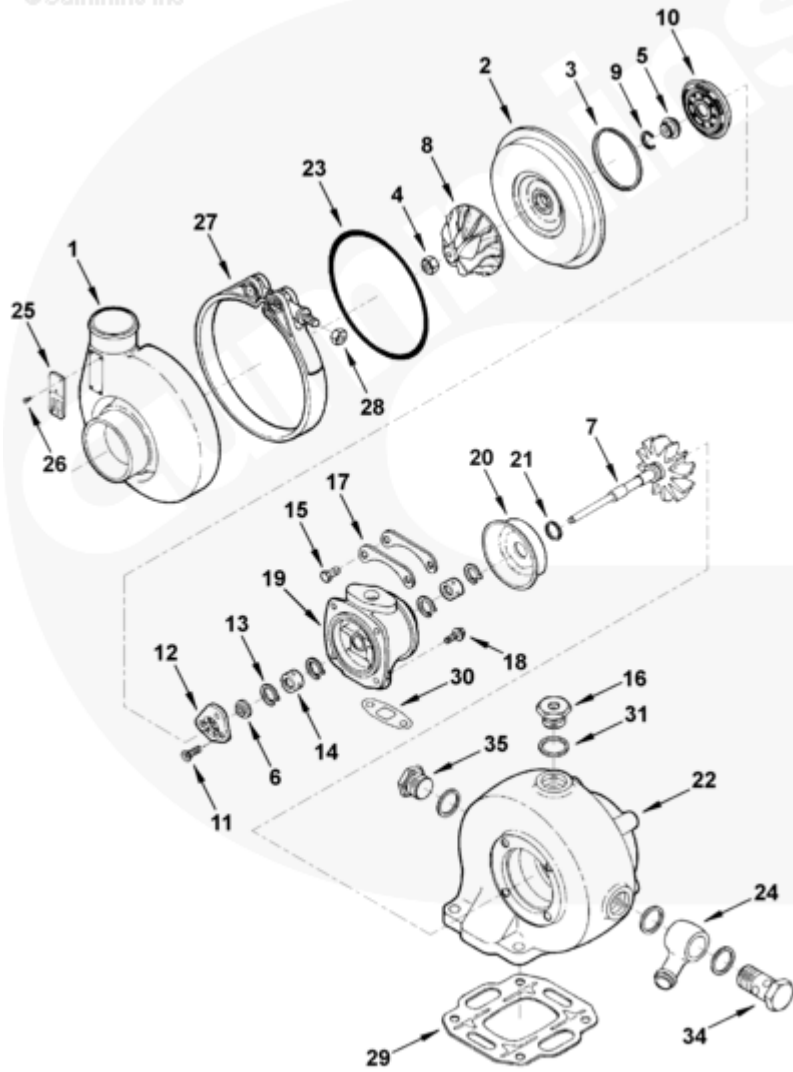




Parts Catalog - Option Detail

Electronic Parts Catalog - Option Detail				
Option	Group	Graphic	Film Card	Date
PP9782	10.06	tu910ga	T	14-DEC-94
Engines	4B3.9, 6A3.4, 6B5.9, B GAS INTERNATIONAL CM556, B4.5, B4.5 CM2350 B129B, B4.5 CM2350 B146C, B4.5 CM2350 B147B, B4.5 RGT, B4.5S, B5.9 G, B5.9 GAS PLUS CM556, B5.9 LPG, B5.9 LPG PLUS CM556, B6.7 CM2350 B121B, B6.7 CM2350 B135B, B6.7 CM2350 B136C, B6.7 CM2350 B148B, B6.7 G CMOH6.0 B125, B6.7N CM2380 B150B, B6.7S, F3.8 CM2350 F120B, F3.8 CM2350 F128C, F3.8 CM2350 F132B, F3.8 F102, G3.9, G5.9, G5.9 CM558, ISB (CHRYSLER), ISB CM2150, ISB CM2150 E, ISB CM550, ISB CM850, ISB/ISD4.5 CM2150 B119, ISB/ISD4.5 CM2150 SN, ISB/ISD6.7 CM2150 B120, ISB/ISD6.7 CM2150 SN, ISB/ISD6.7 CM2880 B126, ISB3.9 CM2220 B107, ISB4.5 CM2150, ISB5.9G CM2180, ISB6.7 2010 DCX PICKUP, ISB6.7 2013 DCX CHASSIS CAB, ISB6.7 CM2150 SQ, ISB6.7 CM2250, ISB6.7 CM2350 B101, ISB6.7 CM2350 B103, ISB6.7 CM2350 B142, ISB6.7 CM2670 B153B, ISB6.7 G CM2180 B118, ISBE CM2150, ISBE CM800, ISBE2/ISBE3 CM850, ISBE4 CM850, ISD4.5 CM2150, ISD6.7 CM2880 D101, ISF2.8 CM2220, ISF2.8 CM2220 AN, ISF2.8 CM2220 EC, ISF2.8 CM2220 ECF2, ISF2.8 CM2220 F101, ISF2.8 CM2220 F117, ISF2.8 CM2220 F122, ISF2.8 CM2220 F126, ISF2.8 CM2220 F129, ISF2.8 CM2220 IAN, ISF3.8 CM2220, ISF3.8 CM2220 AN, ISF3.8 CM2220 F103, ISF3.8 CM2220 F110, ISF3.8 CM2220 F116, ISF3.8 CM2220 F134B, ISF3.8 CM2220 IAN, ISF3.8 CM2350 F109, ISF4.5 CM2220 F123, ISG11 CM2880 G106, ISG11 CM2880 G108, ISG12 CM2880 G107, ISG12 CM2880 G109, ISG12 G CMOH6.0 G111, QSB3.9 30 CM550, QSB3.9 CM2880 B138, QSB4.5 30 CM550, QSB4.5 CM2150 B108, QSB4.5 CM2250 B131, QSB4.5 CM2250 EC, QSB4.5 CM2350 B106, QSB4.5 CM2350 B122			



tu910ga

SMALL | MEDIUM | LARGE

Cart	Ref No	Part Number	Part Description	Required	Remarks
View My Cart					
		PP9782	Turbocharger		
<input type="checkbox"/>		3802304	Turbocharger Kit	1	H1C Wet 6BT
		3528781	Turbocharger	1	
<input type="checkbox"/>	1	3525395	Compressor Housing	1	
<input type="checkbox"/>	2	3522801	Turbocharger Diffuser	1	
<input type="checkbox"/>	3	3502449	Rectangular Ring Seal	1	
<input type="checkbox"/>		3545720	Rotor Assembly	1	
<input type="checkbox"/>	4	3503562	Lock Nut	1	M7 X 1.00
	5	3503662	Oil Slinger	1	

<input type="checkbox"/>					
<input type="checkbox"/>	6	3518980	Thrust Collar	1	
<input type="checkbox"/>	7	3525687	Shaft And Wheel	1	
<input type="checkbox"/>	8	3525040	Turbocharger Compressor Impeller	1	
<input type="checkbox"/>	9	3758848	Split Ring Seal	1	
<input type="checkbox"/>	10	3503668	Oil Baffle	1	
<input type="checkbox"/>	11	3503347	Flat Head Cap Screw	3	M5 X 0.80 X 16
<input type="checkbox"/>	12	3525739	Turbocharger Thrust Bearing	1	
<input type="checkbox"/>	13	3762259	Retaining Ring	4	
<input type="checkbox"/>	14	3503100	Turbocharger Bearing	2	
<input type="checkbox"/>	15	3759917	Hexagon Head Set Screw	4	M8 X 1.25 X 12.
<input type="checkbox"/>	17	3501188	Clamping Plate	2	
<input type="checkbox"/>	18	3527184	Hexagon Flange Head Cap Screw	4	
	19	3528206	Turbocharger Bearing Housing	1	
<input type="checkbox"/>	20	3519302	Turbocharger Heat Shield	1	
<input type="checkbox"/>	21	3756754	Split Ring Seal	1	
	22	3521296	Turbine Housing	1	
<input type="checkbox"/>	23	3523176	Rectangular Ring Seal	1	Deleted 27OCT92
	25	3527619	Dataplate	1	
<input type="checkbox"/>	26	3519163	Drive Screw	2	
<input type="checkbox"/>	27	3521832	V Band Clamp	1	Serviced as 3803431
<input type="checkbox"/>	28	3503335	Regular Hexagon Nut	1	
<input type="checkbox"/>	31	3755947	Sealing Washer	4	
<input type="checkbox"/>	32	3503678	Reducing Adapter	1	
<input type="checkbox"/>	33	3523049	Banjo Connector Union	1	
<input type="checkbox"/>	34	3523050	Banjo Connector Screw	1	
	35	3503677	Threaded Plug	1	
<input type="checkbox"/>	29	3921926	Turbocharger Gasket	1	
<input type="checkbox"/>	30	3765575	Turbocharger Gasket	1	

<input type="checkbox"/>		3802148	Turbocharger Repair Kit	1	
<input type="checkbox"/>		3522827	Hexagon Head Set Screw	4	M6 X 1.00 X 18
<input type="checkbox"/>		3523958	O-Ring Seal	1	
<input type="checkbox"/>		3545652	Kit , Turbocharger Repair H1c-H2a	1	
<input type="checkbox"/>	3	3502449	Rectangular Ring Seal	1	
<input type="checkbox"/>	9	3758848	Split Ring Seal	1	
<input type="checkbox"/>	12	3525739	Turbocharger Thrust Bearing	1	
<input type="checkbox"/>	11	3503347	Flat Head Cap Screw	3	M5 X 0.80 X 16
<input type="checkbox"/>	13	3762259	Retaining Ring	4	
<input type="checkbox"/>	14	3503100	Turbocharger Bearing	2	
<input type="checkbox"/>	15	3759917	Hexagon Head Set Screw	4	M8 X 1.25 X 12.
<input type="checkbox"/>	18	3527184	Hexagon Flange Head Cap Screw	4	
<input type="checkbox"/>	21	3756754	Split Ring Seal	1	
<input type="checkbox"/>		3523958	O-Ring Seal	1	
<input type="checkbox"/>		3501102	Lock Plate	2	
		3518004	Lock Washer	8	M6
<input type="checkbox"/>		3523176	Rectangular Ring Seal	1	Deleted 27OCT92
<input type="checkbox"/>		3527184	Hexagon Flange Head Cap Screw	4	
<input type="checkbox"/>	29	3921936	O-Ring Seal	1	
<input type="checkbox"/>	31	3755947	Sealing Washer	4	
<input type="checkbox"/>	30	3914388	Oil Drain Gasket	1	Holset P/N 3519807